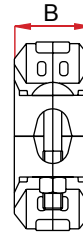
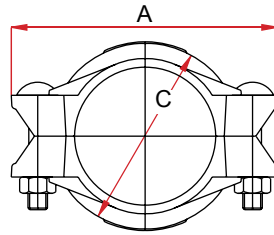


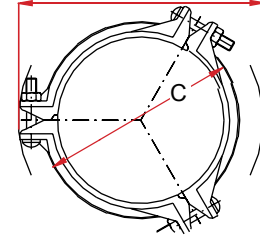
COUPLINGS / Style 75 (FLEXIBLE)



1 1/4" - 12"



14" - 16"

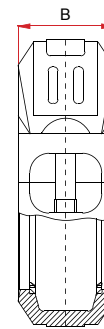
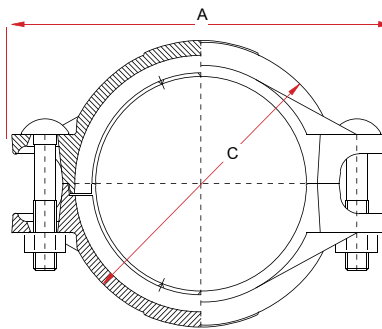
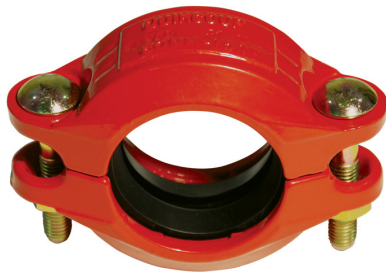


LIGHTWEIGHT FLEXIBLE COUPLING

Maximum working pressure: 500 psi. For fire protection equipment and approved pressure ratings please contact Modgal.

Nominal Size (Inches / DN)	Pipe Outside Dia.	Coupling Dimensions			Bolts			Max. End Load in Lbs ‡	Allowed Pipe End Separation ¶	Max. Deflection (from center line) Degrees per Cplg	Weight Lbs	Approvals
		A	B	C	No.	Size x Length						
1 1/4" / 32	1.660	4.09	1.81	2.76	2	3/8 x 2 1/4	508	0 - 0.13	4°10'	1.50	FM / UL / LPCB / VDS	
1 1/2" / 40	1.900	4.49	1.85	3.07	2	3/8 x 2 1/4	659	0 - 0.13	3°56'	1.76	FM / UL / LPCB / VDS	
2" / 50	2.375	4.92	1.85	3.58	2	3/8 x 2 1/4	1,027	0 - 0.13	3°25'	1.79	FM / UL / LPCB / VDS	
2 1/2" / 65	2.875	5.59	1.81	4.00	2	3/8 x 2 1/4	1,505	0 - 0.13	2°49'	2.16	FM / UL	
3" OD	3.000	5.67	1.85	4.17	2	3/8 x 2 1/4	1,640	0 - 0.13	2°23'	2.25	FM / UL / VDS	
3" / 80	3.500	6.36	1.85	4.67	2	1/2 x 3	2,232	0 - 0.13	1°05'	2.95	FM / UL / LPCB / VDS	
4" / 100	4.500	7.80	1.97	5.91	2	1/2 x 3	3,690	0 - 0.25	3°23'	4.28	FM / UL / LPCB / VDS	
5" OD	5.500	9.67	2.09	7.07	2	5/8 x 3 1/2	5,512	0 - 0.25	2°45'	7.10	FM / LPCB / VDS	
5" / 125	5.563	9.67	2.09	7.07	2	5/8 x 3 1/2	5,512	0 - 0.25	2°45'	7.10	FM / UL*	
6" / 150	6.625	10.85	2.13	7.99	2	5/8 x 3 1/2	8,000	0 - 0.25	1°10'	7.06	FM / UL / LPCB / VDS	
8" / 200	8.625	13.58	2.44	10.59	2	7/8 x 4 3/4	13,558	0 - 0.25	1°41'	15.74	FM / UL / LPCB / VDS	
10" / 250	10.750	16.14	2.64	13.31	2	7/8 x 7 1/8	15,878	0 - 0.25	0°40'	22.95	UL / VDS	
12" / 300	12.705	18.46	2.60	14.80	2	7/8 x 7 1/8	22,350	0 - 0.25	0°40'	24.98	UL / VDS	
14" / 350	14.000	20.43	2.87	16.34	3	7/8 x 5 1/2	26,939	0 - 0.25	-	39.09	-	
16" / 400	16.000	22.83	2.87	18.50	3	7/8 x 5 1/2	35,185	0 - 0.25	-	45.25	-	

COUPLINGS / Style 75RT (RIGID)



LIGHTWEIGHT RIGID COUPLING

Maximum working pressure: 500 psi. For fire protection equipment and approved pressure ratings please contact Modgal.

Nominal Size (Inches / DN)	Pipe Outside Diameter	Coupling Dimensions			Bolts			Max. End Load in Lbs ‡	Allowed Pipe End Separation mm ¶	Weight Lbs	Approvals
		A	B	C	No.	Size x Length					
1 1/4" / 32	1.660	4.09	1.85	2.70	2	3/8 x 2	657	0 - 0.04	1.41	FM / UL*	
1 1/2" / 40	1.900	4.49	1.85	3.07	2	3/8 x 2	851	0 - 0.04	1.72	FM / UL / LPCB / VDS	
2" / 50	2.375	4.92	1.83	3.54	2	3/8 x 2	1,328	0 - 0.04	1.81	FM / UL / LPCB / VDS	
2 1/2" / 65	2.875	5.59	1.85	4.09	2	3/8 x 2	1,946	0 - 0.04	2.11	FM / UL*	
3" OD	3.000	5.67	1.85	4.17	2	3/8 x 2	2,211	0 - 0.04	2.25	FM / UL / LPCB / VDS	
3" / 80	3.500	6.38	1.83	4.69	2	1/2 x 3	2,886	0 - 0.04	2.80	FM / UL / LPCB / VDS	
4" / 100	4.500	7.80	1.97	5.87	2	1/2 x 3	4,771	0 - 0.04	4.23	FM / UL / LPCB / VDS	
5" OD	5.500	9.65	2.13	7.09	2	5/8 x 3 1/2	7,127	0 - 0.12	6.8	FM / UL / LPCB / VDS	
5" / 125	5.563	9.65	2.13	7.09	2	5/8 x 3 1/2	7,127	0 - 0.12	6.80	FM / UL*	
6" / 150	6.625	10.83	2.13	7.95	2	5/8 x 3 1/2	10,345	0 - 0.12	7.06	FM / UL / LPCB / VDS	
8" / 200	8.625	13.58	2.44	10.63	2	7/8 x 4 3/4	17,532	0 - 0.12	15.83	FM / UL / LPCB / VDS	