

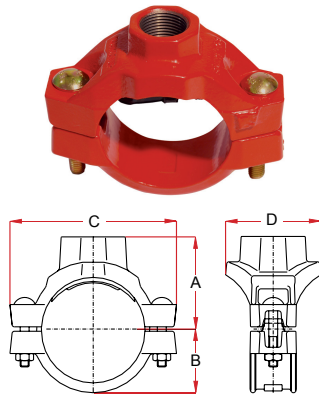
BRANCH OUTLETS / Style 08T / 08G

QUIK-T™ BRANCH OUTLETS

Maximum working pressure: 300 psi
For fire protection equipment and approved pressure ratings please contact Modgal.

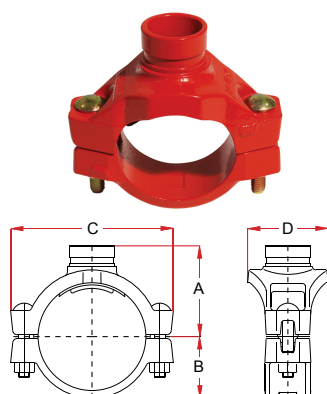
STYLE 08T

Threaded



STYLE 08G

Grooved



Nominal Size (Inches / DN)		Pipe Outside Diameter	Outlet		Quik-T™ Dimensions					Hole Diameter	Bolts			Weight Lbs	Approvals
Run	Outlet		Size	Type	A		B	C	D		Tolerance +1/8"	Qty.	Size		
					Thrd.	Grv.									
2" / 50	1/2" / 15	2,375	1/2"	T	2.28	-	1.63	5.31	2.99	1 1/2"	2	3/8"	2 1/4"	3.01	FM / UL / LPCB / VDS
	3/4" / 20	2,375	3/4"	T	2.28	-	1.63	5.31	2.99	1 1/2"	2	3/8"	2 1/4"	3.02	FM / UL / LPCB / VDS
	1" / 25	2,375	1"	T	2.58	-	1.63	5.31	2.99	1 1/2"	2	3/8"	2 1/4"	3.20	FM / UL / LPCB / VDS
	1 1/4" / 32	2,375	1 1/4"	T or G	2.74	3.01	1.63	5.31	3.23	1 3/4"	2	3/8"	2 1/4"	3.25	FM / UL / LPCB / VDS
	1 1/2" / 40	2,375	1 1/2"	T or G	2.74	3.01	1.63	5.31	3.23	1 3/4"	2	3/8"	2 1/4"	3.21	FM / UL / LPCB / VDS
2 1/2" / 65	1/2" / 15	2,875	1/2"	T	2.64	-	1.89	5.91	3.62	1 1/2"	2	1/2"	3"	4.01	FM / UL
	3/4" / 20	2,875	3/4"	T	2.72	-	1.89	5.91	3.62	1 1/2"	2	1/2"	3"	3.92	FM / UL
	1" / 25	2,875	1"	T	2.83	-	1.89	5.91	3.62	1 1/2"	2	1/2"	3"	3.86	FM / UL
	1 1/4" / 32	2,875	1 1/4"	T or G	2.99	3.23	1.89	5.91	3.62	2"	2	1/2"	3"	3.79	FM / UL
	1 1/2" / 40	2,875	1 1/2"	T or G	2.99	3.23	1.89	5.91	3.62	2"	2	1/2"	3"	3.98	FM / UL
3" OD	1/2" / 15	3,000	1/2"	T	2.64	-	1.89	5.91	3.62	1 1/2"	2	1/2"	3"	4.01	FM / UL / LPCB / VDS
	3/4" / 20	3,000	3/4"	T	2.72	-	1.89	5.91	3.62	1 1/2"	2	1/2"	3"	3.92	FM / UL / LPCB / VDS
	1" / 25	3,000	1"	T	2.83	-	1.89	5.91	3.62	1 1/2"	2	1/2"	3"	3.86	FM / UL / LPCB / VDS
	1 1/4" / 32	3,000	1 1/4"	T or G	2.99	3.23	1.89	5.91	3.62	2"	2	1/2"	3"	3.90	FM / UL / LPCB / VDS
	1 1/2" / 40	3,000	1 1/2"	T or G	2.99	3.23	1.89	5.91	3.62	2"	2	1/2"	3"	3.81	FM / UL / LPCB / VDS
3" / 80	1/2" / 15	3,500	1/2"	T	2.80	-	2.20	6.30	3.15	1 1/2"	2	1/2"	3"	4.19	FM / UL / LPCB / VDS
	3/4" / 20	3,500	3/4"	T	2.99	-	2.20	6.30	3.15	1 1/2"	2	1/2"	3"	4.44	FM / UL / LPCB / VDS
	1" / 25	3,500	1"	T	3.05	-	2.20	6.30	3.15	1 1/2"	2	1/2"	3"	4.26	FM / UL / LPCB / VDS
	1 1/4" / 32	3,500	1 1/4"	T or G	3.44	3.74	2.20	6.30	3.70	2"	2	1/2"	3"	4.37	FM / UL / LPCB / VDS
	1 1/2" / 40	3,500	1 1/2"	T or G	3.44	3.74	2.20	6.30	3.70	2"	2	1/2"	3"	4.26	FM / UL / LPCB / VDS
	2" / 50	3,500	2"	T or G	3.54	3.66	2.20	6.30	4.02	2 1/2"	2	1/2"	3"	5.01	FM / UL / LPCB / VDS
4" / 100	1/2" / 15	4,500	1/2"	T	3.43	-	2.72	7.36	3.78	1 1/2"	2	1/2"	3"	5.06	FM / LPCB / VDS
	3/4" / 20	4,500	3/4"	T	3.50	-	2.72	7.36	3.78	1 1/2"	2	1/2"	3"	4.98	FM / LPCB / VDS
	1" / 25	4,500	1"	T	3.62	-	2.72	7.36	3.78	1 1/2"	2	1/2"	3"	4.93	FM / LPCB / VDS
	1 1/4" / 32	4,500	1 1/4"	T or G	4.09	4.09	2.72	7.36	3.78	2"	2	1/2"	3"	5.03	FM / UL / LPCB / VDS
	1 1/2" / 40	4,500	1 1/2"	T or G	4.09	4.09	2.72	7.36	3.78	2"	2	1/2"	3"	4.79	FM / UL / LPCB / VDS
	2" / 50	4,500	2"	T or G	4.09	4.09	2.72	7.36	4.21	2 1/2"	2	1/2"	3"	5.50	FM / UL / LPCB / VDS
	2 1/2" / 65	4,500	2 1/2"	T or G	4.09	4.09	2.72	7.36	4.17	2 3/4"	2	1/2"	3"	5.57	FM / UL
	3" OD	4,500	3" OD	T or G	4.09	4.09	2.72	7.36	4.17	2 3/4"	2	1/2"	3"	5.57	FM / UL / VDS
5" OD	3" / 80	4,500	3"	T or G	4.41	4.45	2.72	7.36	5.12	3 1/2"	2	1/2"	3"	7.77	FM / UL / VDS
	1 1/4" / 32	5,500	1 1/4"	T or G	4.67	4.69	3.21	8.50	3.94	2"	2	5/8"	3 1/2"	7.36	FM / VDS
	1 1/2" / 40	5,500	1 1/2"	T or G	4.67	4.69	3.21	8.50	3.94	2"	2	5/8"	3 1/2"	7.21	FM / VDS
	2" / 50	5,500	2"	T or G	4.74	4.69	3.21	8.50	4.17	2 1/2"	2	5/8"	3 1/2"	7.65	FM / VDS
6" / 150	3" OD	5,500	3" OD	G	-	4.69	3.21	8.50	4.21	2 3/4"	2	5/8"	3 1/2"	7.72	FM / VDS
	1 1/4" / 32	6,625	1 1/4"	T or G	5.24	5.24	3.74	9.65	3.78	2"	2	5/8"	4 3/4"	7.99	FM / UL / LPCB / VDS
	1 1/2" / 40	6,625	1 1/2"	T or G	5.24	5.14	3.74	9.65	3.78	2"	2	5/8"	4 3/4"	8.01	FM / UL / LPCB / VDS
	2" / 50	6,625	2"	T or G	5.12	5.18	3.74	9.65	4.21	2 1/2"	2	5/8"	4 3/4"	8.65	FM / UL / LPCB / VDS
	2 1/2" / 65	6,625	2 1/2"	G	-	5.22	3.74	9.65	4.21	2 3/4"	2	5/8"	4 3/4"	8.94	FM / UL
	3" OD	6,625	3" OD	T or G	5.53	5.22	3.74	9.65	4.21	2 3/4"	2	5/8"	4 3/4"	8.94	FM / UL / LPCB / VDS
	3" / 80	6,625	3"	T or G	5.41	5.45	3.74	9.72	5.51	3 1/2"	2	5/8"	4 3/4"	10.69	FM / UL / VDS
	4" / 100	6,625	4"	T or G	5.67	5.49	3.86	9.72	6.42	4 1/2"	2	5/8"	4 3/4"	9.57	FM / UL / LPCB / VDS
8" / 200	2 1/2" / 65	8,625	2 1/2"	G	-	6.10	4.84	12.60	4.72	2 3/4"	2	3/4"	4 3/4"	10.46	-
	3" OD	8,625	3" OD	T or G	6.20	6.10	4.84	12.60	4.72	2 3/4"	2	3/4"	4 3/4"	10.46	-
	3" / 80	8,625	3"	T or G	6.34	6.34	4.84	12.60	5.43	3 1/2"	2	3/4"	4 3/4"	12.18	VDS
	4" / 100	8,625	4"	T or G	6.73	6.34	4.84	12.60	6.46	4 1/2"	2	3/4"	4 3/4"	12.33	VDS