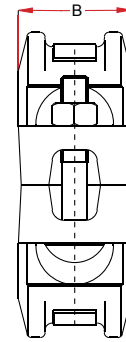
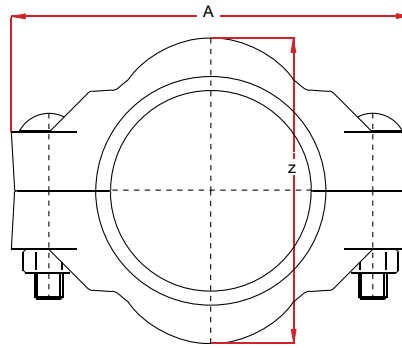


# COUPLINGS / Style 07 (HEAVY DUTY FLEXIBLE)

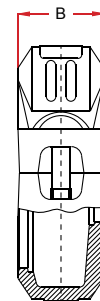
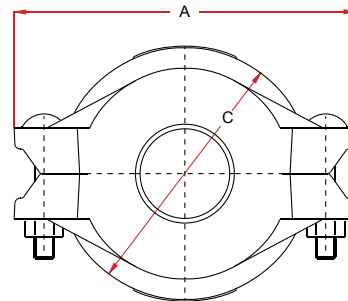
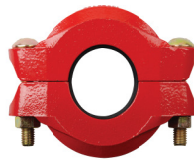
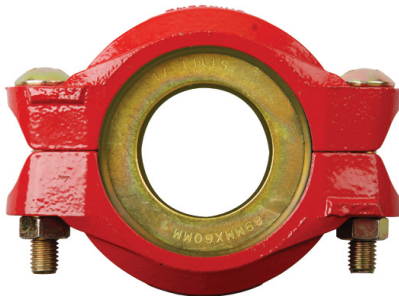


## HEAVY DUTY FLEXIBLE COUPLING

Maximum working pressure: 1000 psi. For fire protection equipment and approved pressure ratings please contact Modgal.

Nominal Size (Inches / DN)	Pipe Outside Diameter	Coupling Dimensions			Bolts				Max. End Load in Lbs ‡	Allowed Pipe End Separation mm §	Max. Deflection (from center line)		Weight Lbs	Approvals
		A	B	C	No.	Size x Length					Degrees per Cplg			
1½" / 40	1.900	4.49	1.81	3.19	2	3/8	x	2 <sup>1/4</sup>	1,418	0.04	1°58'	1.96	FM	
2" / 50	2.375	5.43	1.89	3.78	2	1/2	x	3	2,213	0.04	1°42'	3.30	FM / UL / LPCB	
2½" / 65	2.875	5.75	1.89	4.33	2	1/2	x	3	3,525	0.04	1°22'	3.65	FM / UL	
3" OD	3.000	5.75	1.89	4.33	2	1/2	x	3	3,830	0.04	1°22'	3.48	FM	
3" / 80	3.500	6.69	1.89	5.12	2	1/2	x	3	4,810	0.04	1°05'	4.16	FM / UL / LPCB	
4" / 100	4.500	8.27	2.20	6.38	2	5/8	x	3 <sup>1/2</sup>	7,952	0.12	1°40'	8.01	FM / UL / LPCB	
5" OD	5.500	9.92	2.20	7.56	2	3/4	x	4 <sup>3/4</sup>	11,878	0.12	1°25'	11.95	FM	
5" / 125	5.563	9.92	2.20	7.56	2	3/4	x	4 <sup>3/4</sup>	11,878	0.12	1°25'	11.73	FM / UL	
6" / 150	6.625	11.10	2.20	8.78	2	3/4	x	4 <sup>3/4</sup>	17,242	0.12	1°10'	13.21	FM / UL / LPCB	
8" / 200	8.625	13.86	2.52	11.18	2	7/8	x	5 <sup>1/2</sup>	29,220	0.12	0°51'	21.86	FM / UL / LPCB	

# COUPLINGS / Style 71 (REDUCING COUPLING)



## REDUCING COUPLING

Maximum working pressure: 500 psi. For fire protection equipment and approved pressure ratings please contact Modgal.

Nominal Size (Inches / DN)	Pipe Outside Diameter	Coupling Dimensions			Bolts				Max. End Load in Lbs ‡	Allowed Pipe End Separation §	Max. Deflection (from center line)		Weight Lbs	Approvals
		A	B	C	No.	Size x Length					Degrees per Cplg			
2" x 1½" / 50 x 40	2.375 x 1.900	4.92	1.81	3.58	2	3/8	x	2 <sup>1/4</sup>	659	0 - 0.04	3°25'	2.09	FM / UL / VDS	
2½" x 2" / 60 x 50	2,875 x 1,900	5.55	1.81	3.98	2	3/8	x	2 <sup>1/4</sup>	1,027	0 - 0.04	2°49'	2.43	FM / UL*	
3" OD x 2"	3,000 x 2,375	5.63	1.85	4.13	2	3/8	x	2 <sup>1/4</sup>	1,027	0 - 0.04	2°23'	2.54	FM / UL / VDS	
3" x 2" / 80 x 50	3,500 x 2,375	6.34	1.81	4.72	2	1/2	x	3	1,027	0 - 0.04	1°05'	3.75	FM / UL / VDS	
3" x 2½" / 80 x 65	3,500 x 2,875	6.34	1.81	4.76	2	1/2	x	3	1,505	0 - 0.04	1°05'	3.42	FM / UL*	
3" x 3" OD	3,500 x 3,000	6.34	1.81	4.76	2	1/2	x	3	1,640	0 - 0.04	1°05'	3.31	FM / UL / VDS	
4" x 2" / 100 x 50	4,500 x 2,375	7.80	1.97	5.87	2	1/2	x	3	1,027	0 - 0.12	3°23'	5.95	FM / UL / VDS	
4" x 2½" / 100 x 65	4,500 x 2,875	7.80	1.97	4.67	2	1/2	x	3	1,505	0 - 0.12	2°49'	5.38	FM / UL*	
4" x 3" OD	4,500 x 3,000	7.80	1.97	5.87	2	1/2	x	3	1,640	0 - 0.12	2°23'	5.51	FM / UL / VDS	
4" x 3" / 100 x 80	4,500 x 3,500	7.80	1.97	5.87	2	5/8	x	3	2,232	0 - 0.12	1°05'	5.29	FM / UL / VDS	
5" OD x 4"	5,500 x 4,500	9.65	2.09	7.05	2	5/8	x	3 <sup>1/2</sup>	3,690	0 - 0.12	2°45'	8.16	FM	
5" X 4" / 125 X 100	5,563 X 4,500	9.65	2.09	7.05	2	5/8	x	3 <sup>1/2</sup>	3,690	0 - 0.12	2°45'	8.05	FM / UL*	
6" x 3" / 150 x 80	6,625 x 3,500	10.83	2.09	8.35	2	5/8	x	3 <sup>1/2</sup>	2,232	0 - 0.12	1°05'	11.70	FM / UL / VDS	
6" x 4" / 150 x 100	6,625 x 4,500	10.83	2.09	8.35	2	5/8	x	3 <sup>1/2</sup>	3,690	0 - 0.12	1°10'	9.70	FM / UL / VDS	
8" x 6" / 200 x 150	8,625 x 6,625	13.54	2.40	10.55	2	3/4	x	4 <sup>3/4</sup>	8,000	0 - 0.12	1°10'	19.18	FM	