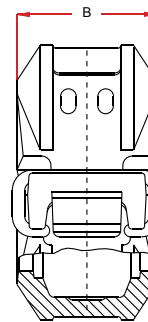
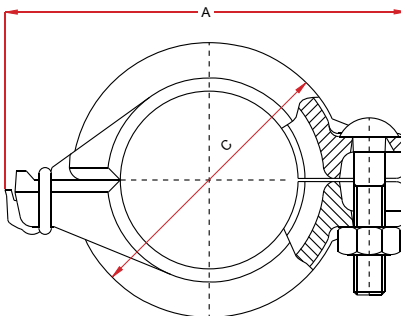


COUPLINGS / Style 007 QUIKHINGE™ (FLEXIBLE)

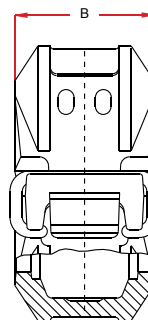
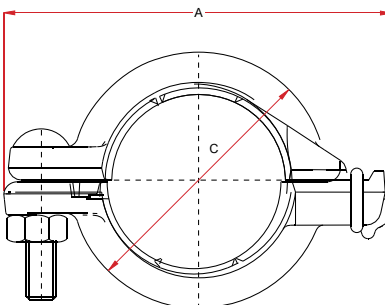


ONE BOLT FLEXIBLE COUPLING

Maximum working pressure: 230 psi. For fire protection equipment and approved pressure ratings please contact Modgal.

Nominal Size (Inches / DN)	Pipe Outside Diameter	Coupling Dimensions			Bolts				Max. End Load in Newton†	Allowed Pipe End Separation mm ‡	Max. Deflection (from center line) Degrees per Cplg	Weight Lbs	Approvals
		A	B	C	No.	Size x Length							
1" / 25	1.315	3.94	1.73	2.36	1	3/8	x	2	238	0 - 0.13	3°25'	1.17	FM / UL / VDS
1¼" / 32	1.660	4.33	1.73	2.68	1	3/8	x	2¼	379	0 - 0.13	3°	1.37	FM / UL / LPCB / VDS
1½" / 40	1.900	4.53	1.73	2.91	1	3/8	x	2¼	496	0 - 0.13	2°40'	1.35	FM / UL / LPCB / VDS
2" / 50	2.375	5.08	1.77	3.50	1	3/8	x	2¼	775	0 - 0.13	2°25'	1.52	FM / UL / LPCB / VDS
2½" / 65	2.875	5.59	1.77	3.86	1	3/8	x	2¼	1,135	0 - 0.13	2°	1.87	FM / UL*
3" OD	3.000	5.71	1.77	4.02	1	3/8	x	2¼	1,237	0 - 0.13	2°	1.92	FM / UL / VDS
3" / 80	3.500	6.50	1.81	4.61	1	3/8	x	2¼	1,684	0 - 0.13	1°50'	2.43	FM / UL / LPCB / VDS
4" / 100	4.500	7.80	1.97	5.87	1	3/8	x	2¾	2,783	0 - 0.25	2°25'	3.77	FM / UL / LPCB / VDS
5" OD	5.500	9.80	2.05	7.13	1	1/2	x	3½	4,158	0 - 0.25	2°	6.50	FM / LPCB / VDS
5" / 125	5.563	9.80	2.05	7.13	1	1/2	x	3½	4,158	0 - 0.25	2°	6.50	FM / UL*
6" / 150	6.625	10.71	2.05	8.19	1	1/2	x	3½	6,034	0 - 0.25	1°30'	6.84	FM / UL / LPCB / VDS

COUPLINGS / Style 007RT QUIKHINGE™ (RIGID)



ONE BOLT RIGID COUPLING

Maximum working pressure: 300 psi. For fire protection equipment and approved pressure ratings please contact Modgal.

Nominal Size (Inches / DN)	Pipe Outside Dia.	Coupling Dimensions			Bolts				Max. End Load in Lbs †	Allowed Pipe End Separation mm ‡	Weight Lbs	Approvals
		A	B	C	No.	Size x Length						
1¼" / 32	1.660	4.25	1.73	2.56	1	3/8	x	2	508	0 - 0.04	1.08	FM / VDS
1½" / 40	1.900	4.49	1.73	2.80	1	3/8	x	2	659	0 - 0.04	1.26	FM / UL / LPCB / VDS
2" / 50	2.375	5.08	1.77	3.35	1	3/8	x	2	1,027	0 - 0.04	1.54	FM / UL / LPCB / VDS
2½" / 65	2.875	5.59	1.77	3.74	1	3/8	x	2¼	1,506	0 - 0.04	1.65	FM / UL*
3" OD	3.000	5.71	1.77	3.82	1	3/8	x	2¼	1,641	0 - 0.04	1.59	FM / UL / VDS
3" / 80	3.500	6.53	1.83	4.45	1	3/8	x	2¼	2,232	0 - 0.04	2.21	FM / UL / LPCB / VDS
4" / 100	4.500	7.81	1.81	5.79	1	3/8	x	2¼	3,690	0 - 0.04	3.40	FM / UL / LPCB / VDS
5" OD	5.500	9.82	2.05	7.13	1	1/2	x	3	5,512	0 - 0.12	6.50	FM / UL / LPCB / VDS
5" / 125	5.563	9.82	2.05	7.13	1	1/2	x	3	5,512	0 - 0.12	6.50	FM / UL*
6" / 150	6.625	10.87	2.05	8.19	1	1/2	x	3	8,000	0 - 0.12	6.95	FM / UL / LPCB / VDS